

# BX-S959SD

Embedded Fan-less System with Intel® Atom™ E3845

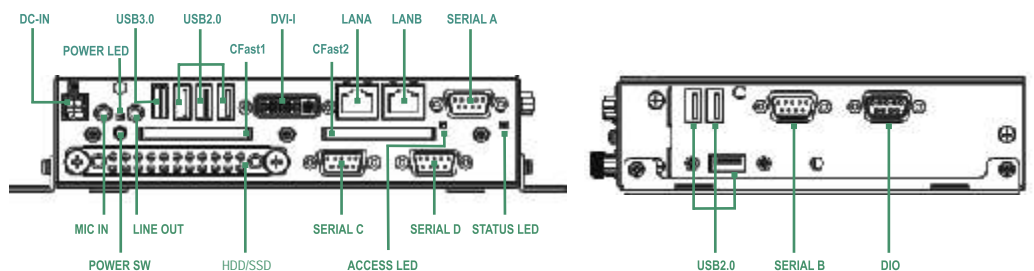


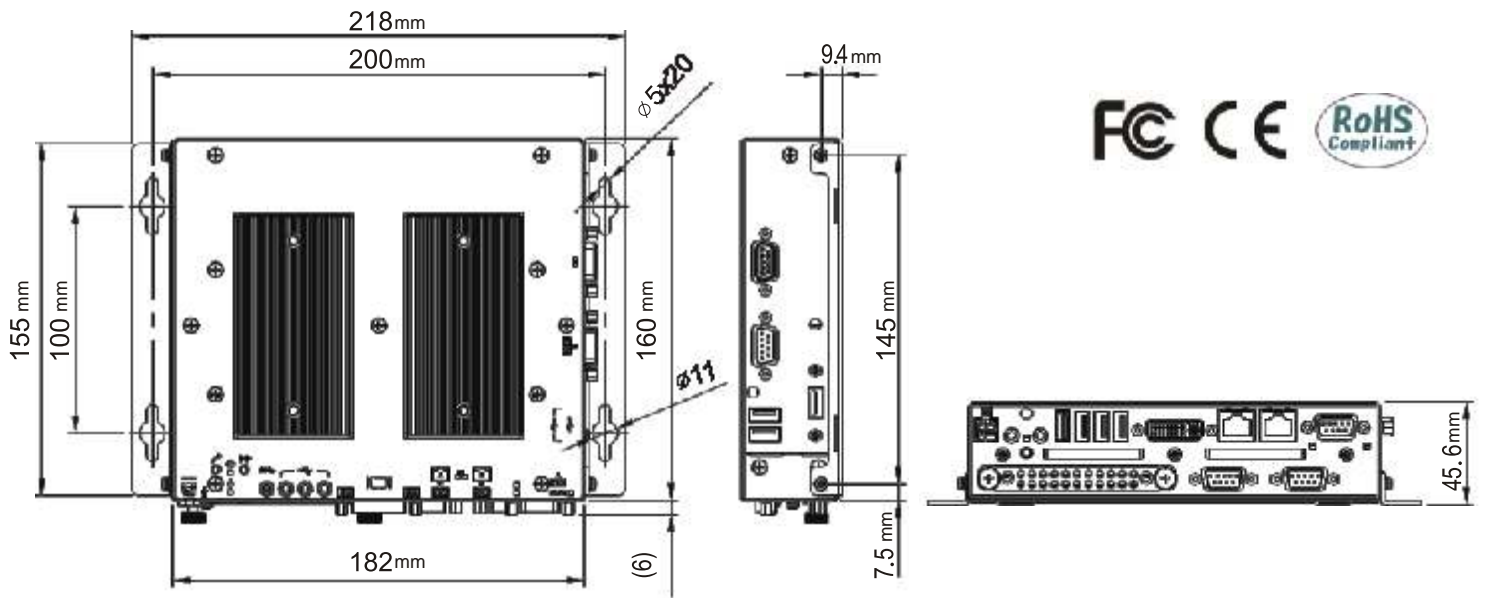
## Features

- Intel® Baytrail SoC base platform
- Silent fanless design with high airtight chassis
- A5 Small design and cost effective
- Dual LAN, 4x COM, 7x USB, 1x DIO and other rich expansion interface
- Easy replacement of the storage device 2.5-inch SATA drive bay
- Supports 2x CFast at BIOS selectable

## Optional Configuration

- 1x 2.5" HDD SATA3
- 1x 2.5" SSD SATA3
- 1 or 2 x CFast Card
- AC adapter 19V/65W
- OS Win 7/8.1/10 (32/64-bit)





## Specifications

System	CPU	Intel®Atom™E3845 1.91GHz Quad Core
	Chipset	Intel®Baytrail SoC
	BIOS	AMI SPI BIOS
	Memory	One 204Pin SO-DIMM socket support DDR3L 1333 up to 8GB/ECC
	Graphic	Integrated Intel®HD Graphics Controller
	LAN Chipset	2x Intel®I210ITGbE Controller
	Watchdog timer	255-level
Expansion	NA	
External I/O	Display	1x DVI-I
	LAN	2x RJ-45 ports for GbE
	Audio	1x Line-out, 1x Mic-in (Realtek ALC892 HD)
	Serial Port	3x RS-232C, 1x RS-232C/422/485
	DIO Port	Programmable 6-bit digital I/O
	USB Port	6x USB2.0, 1x USB3.0
Storage	Type	1x 2.5" drive bay for SATA HDD/SSD (Standard) 2x CFast (at BIOS selectable)
Power supply	DC input	12~24VDC
	AC input	N/A
Environment	Operating Temperature	0 ~ 40°C (w/ HDD) 0 ~ 50°C (w/ wide temperature HDD/SSD)
	Storage Temperature	-10 ~ 60°C
	Storage Humidity	10 ~ 90%RH, non-condensing
Mechanical	Dimension (WxDxH)	182 x 160 x 45.6 mm
	Weight	1.6 kg
	Mounting	Wall mount
OS support	Windows 7/8.1/10 (32/64-bit) English	

## Ordering Guide

- BX-S959SD-DC7000 BOX PC w/ Atom™ E3845, 4GB DDR3L memory
- BX-S959SDF2-DC7000 BOX PC w/ Atom™ E3845, 4GB DDR3L memory, support 2x CFast